

**UP28 F - UP33 F - UP39 F
FRONT MOUNT
HELM PUMPS**



FEATURES

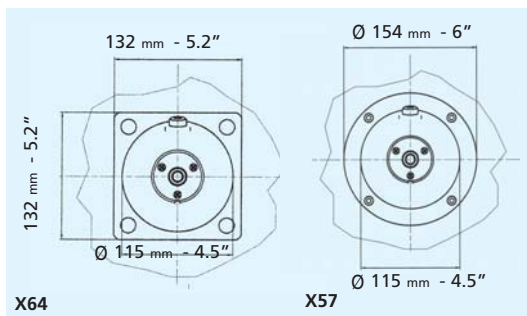
- Available in three different displacement sizes
- Compact design
- Ball bearing piston race
- Built-in lock valve for positive rudder lock
- Integral relief valve for over-pressure protection
- 3/4" tapered stainless steel shaft
- Easily accessible lock valve and shaft seal for replacement
- Cast iron rotor for greater durability and longer life
- 1/4" NPT fitting for 3/8" tube
- Complete with elbow fittings
- X64 - 40198 C square flange or X57 - 39464 P round flange permit to install the pumps in an intermediate dashboard position.



UP28 F/33 F/39 F + X64



UP28 F/33 F/39 F + X57



Mod.	P. No.	Mounting	Displacement/revolution	No. of pistons	Relief valve setting	Maximum wheel dia.	Weight
UP28 F	39443 F	Front mount	28 cc - 1.7 cu.in	5	70 Bar - 1000 PSI	710 mm - 28"	5 kg - 11 lbs
UP33 F	39422 X	Front mount	33 cc - 2.0 cu.in	7	70 Bar - 1000 PSI	710 mm - 28"	5 kg - 11 lbs
UP39 F	39415 A	Front mount	39 cc - 2.4 cu.in	7	70 Bar - 1000 PSI	710 mm - 28"	5 kg - 11 lbs

