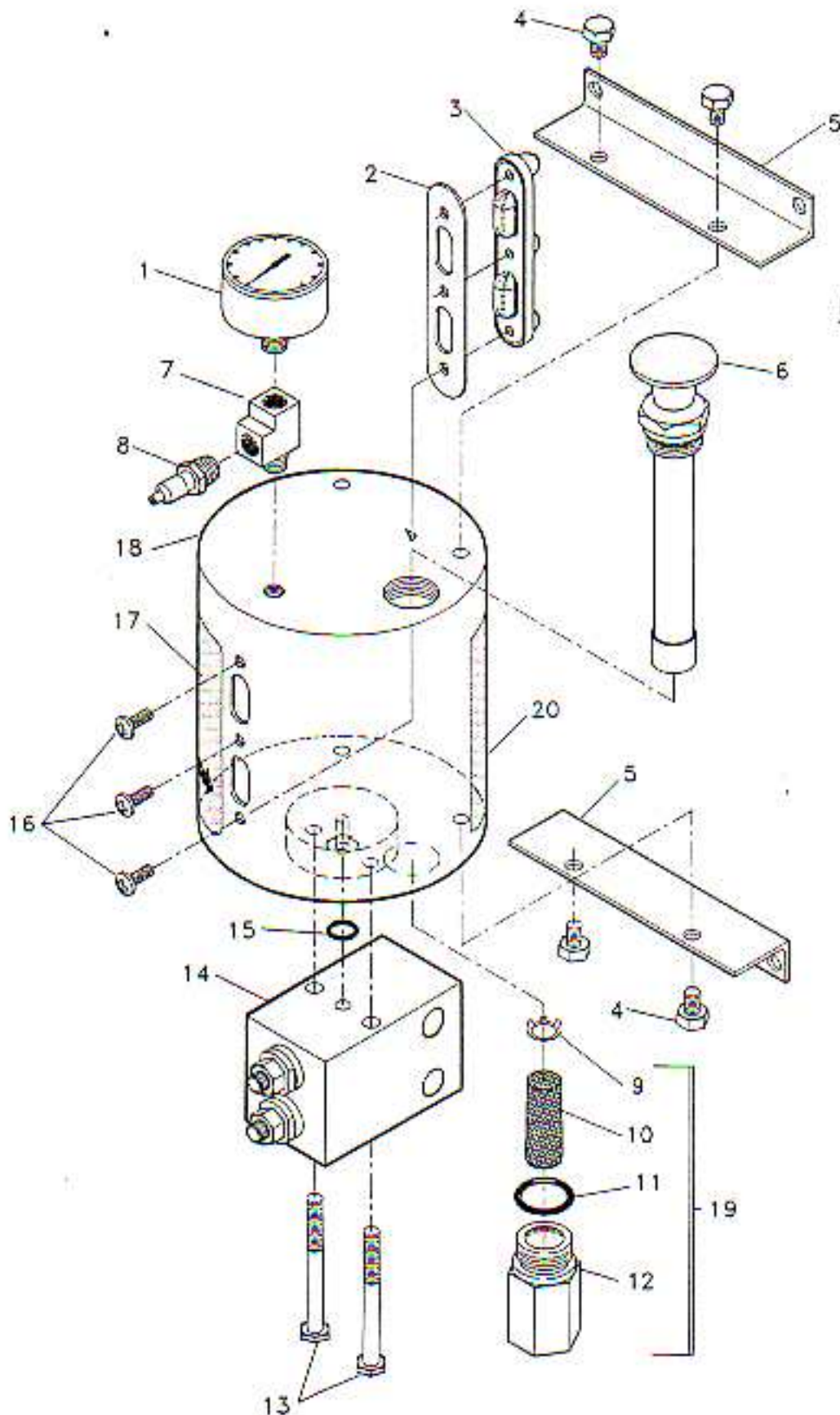


# ILLUSTRATED PARTS BREAKDOWN

## Model RV-55P Reservale



Item	Description	Part No.	Qty
1.	Pressure Gage	160042	1
2.	Gasket	310015	1
3.	Level Indicator	150078	1
4.	Screw	240407	4
5.	Bracket	150264	2
6.	Hand Pump Ass'bly.	860022	1
7.	1/8" Tee	690561	1
8.	Dill Valve	160041	1
9.	Retaining Ring	300036	1
10.	Filter Element	160103	1
11.	O-Ring	211910	1
12.	Plug	380184	1
13.	Screw	240327	2
14.	Relief Valve	860047	1
15.	O-Ring	211012	1
16.	Screw	240437	3
17.	Decal	180032	1
18.	Tank Assembly	*	1
19.	Filter Assembly	380100	1
20.	Decal	180004	1

\* Contact Hynautic



Marine Systems and Products - 1579 Barber Road, Sarasota FL 34240 Tel. 813-379-0500 FAX 813-379-0496



184023