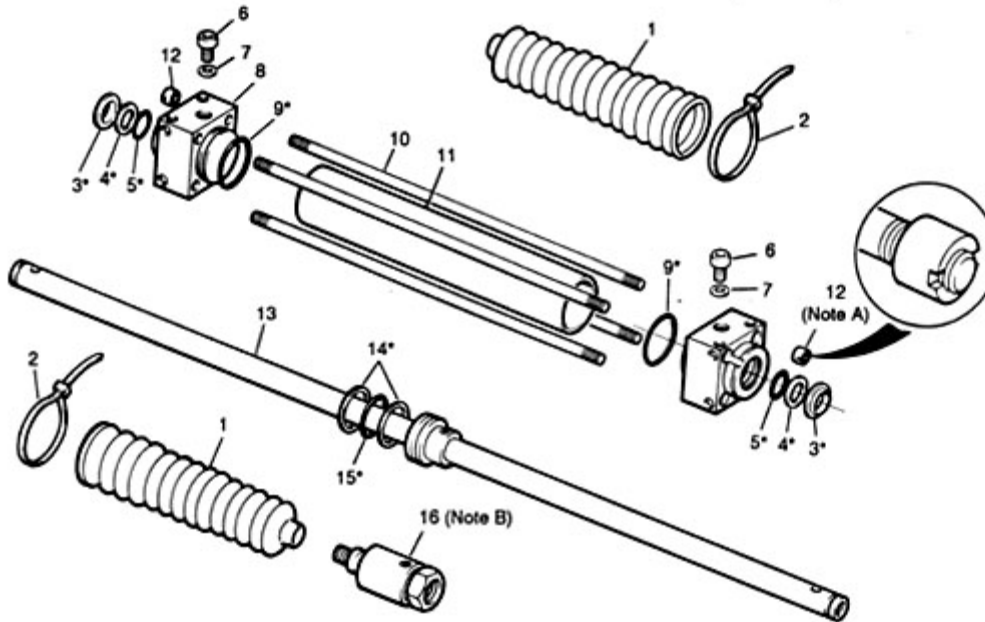


ILLUSTRATED PARTS BREAKDOWN

Models

K-22, K-27, K-28 & K-29



Parts Description

Item	Description	Cylinder Model	Part No.	Qty.
1	Boot	K-22, K-27	170001	2
2	Tie Wrap	K-22, K-27	160014	2
3*	Rod Wiper	All	700088	2
4*	Back-up Ring	All	252210	2
5*	O-Ring	All	211210	2
6	Bleed Screw	All	240317	2
7	Gasket	All	390028	2
8	Cylinder End	All	560231	2
9*	O-Ring	All	211028	2
10	Tie Rod	K-22, K-27	420111	4
		K-28, K-29	420131	4
11	Cylinder Tube	K-22, K-27	500021	1
		K-28, K-29	500091	1
12	Nut	All	340061	8
13	Rod Assembly	All	550030	1
14*	Back-Up Ring	All	252125	2
15*	O-Ring	All	211125	1
16	Ball Joint	K-22, K-29	670030	1
	Assembly	K-27, K-28	670030	2

Note A: To loosen tie rod nuts, a tool should be fabricated – usually from a standard 7/16" socket – which will engage the two slots on either side of the nut. When replacing these nuts, they should be tightened to 75 in. lbs. torque.

Note B: This ball joint is assembled under force and should not be disassembled. Replace entire assembly if ball is unreasonably loose in the socket. Assemble to rod end using LOCTITE 680, and torque to 500 in. lbs.

IMPORTANT
Disassembly of this component
will void any warranty still in effect.

*incorporated in Hynautic Seal Kit No. KS-06
(Seal Kit Part No. KS-04 contains rings and
seals for cylinders manufactured prior to 8/83)



Marine Systems and Products • 1579 Barber Road, Sarasota, FL 34240 • Tel. 813-379-0500 • FAX 813-379-0496