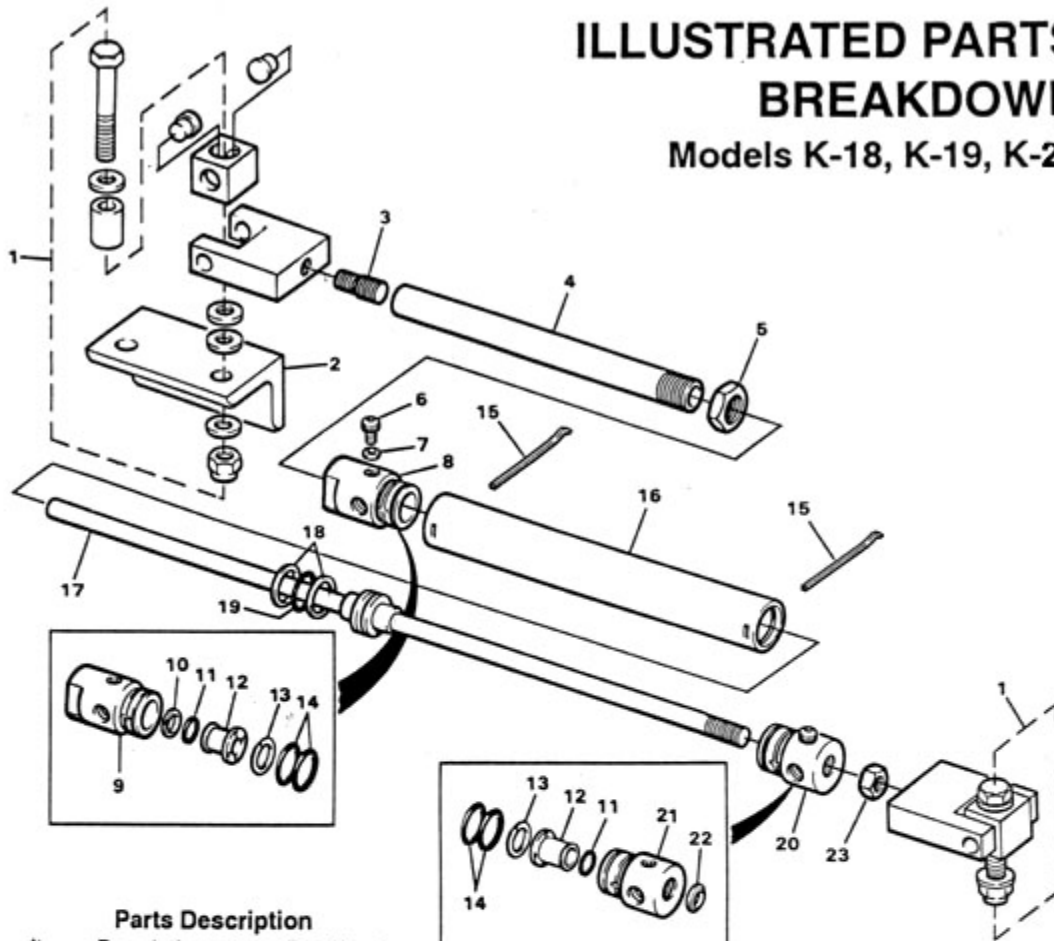


ILLUSTRATED PARTS BREAKDOWN

Models K-18, K-19, K-20



Parts Description

Item	Description	Part No.	Qty.
1	Rod End Assembly	670310	2
2	Bracket	360264	1
3	Stud Connector	420211	1
4	Ball Joint Housing - K-18	670074	1
	- K-19	670084	1
	- K-20	670094	1
5	Nut	340024	1
6	Bleed Screw	240317	2
7	Washer	390028	2
8	Cylinder End Assembly	560030	1
9	Cylinder End	560434	1
10	Ring	252112	1
*11	O-Ring	211112	2
12	Bearing	640108	2
13	Retaining Ring	300066	2

Item	Description	Part No.	Qty.
*14	O-Ring	211024	4
*15	Retaining Wire	300037	2
16	Cylinder Tube - K-18	500054	1
	- K-19	500074	1
	- K-20	500064	1
17	Rod Ass'y. - K-18	550270	1
	- K-19	550280	1
	- K-20	550290	1
*18	Back-up Ring	252214	2
*19	O-Ring	211214	1
20	Cylinder End Assembly	560020	1
21	Cylinder End	560424	1
*22	Wiper	700098	1
23	Nut	270037	1

* Incorporated in Hynautic Seal Kit No. KS-02



Marine Systems and Products - 1579 Barber Road, Sarasota, FL 34240 Tel. 813-379-0500 FAX 813-379-0496

© 1982 Ino Industries, Inc., Hydraulic Operations, Morse Controls Division

