

### TRIM-TAB CYLINDERS FOR YACHTS

Hynautic understands the unique forces being applied to trim systems on large yachts. The small nylon cylinders supplied with many systems are not usually adequate. Hynautic trim-tab cylinders are specifically designed brass cylinders (which provide approximately 2 1/2 times the force of a typical nylon cylinder) and are matched with our premiere quality power packs. These cylinders are double acting, meaning they hydraulically push down and pull up. Also, because they will lock in both directions and they will not allow the tabs to be pulled down when making that hard "backing down" maneuver.

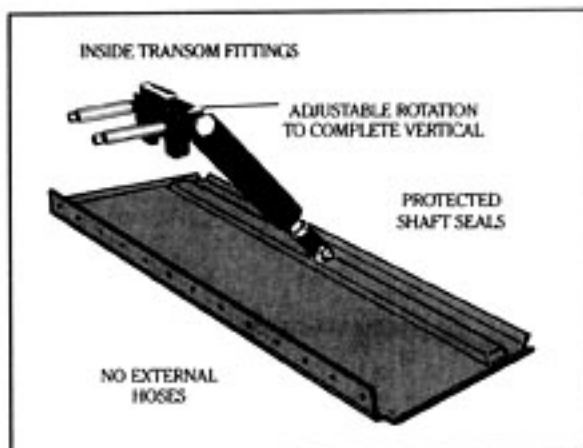
### System Performance (Full Extension Time)

NO. CYLINDERS PER PLANE	PUMP MODELS		
	TP-02	TP-01	TP-03
1	6.28 sec. (TCS-1-02)	4.46 sec. (TCS-1-01)	-
2	12.96 sec. (TCS-2-02)	8.91 sec. (TCS-2-01)	6.48 sec. (TCS-3-03)
3	19.44 sec. (TCS-3-02)	13.38 sec. (TCS-3-01)	9.72 sec. (TCS-3-03)
4	-	17.82 sec. (TCS-4-01)	12.96 sec. (TCS-4-03)

Order the system number in parenthesis.

### Specifications

Trim Cylinder Assembly			
MODEL TK-01			
STROKE = 4"			
DISPLACEMENT = 5.94in.3			
FORCE = 2,230 LB. @ rated pressure			
CONSTRUCTION = Brass/Bronze			
DIMENSIONS: Base = 7.13" x 3.75"			
Cylinder = 14.0" Retracted			
Pump Assembly			
MODEL	TP-02	TP-01	TP-03
DISPL (in.3/min.)	57	80	110
MOTOR	12 VDC	24 VDC	24 VDC



NOTE: Tabs not available from Hynautic

