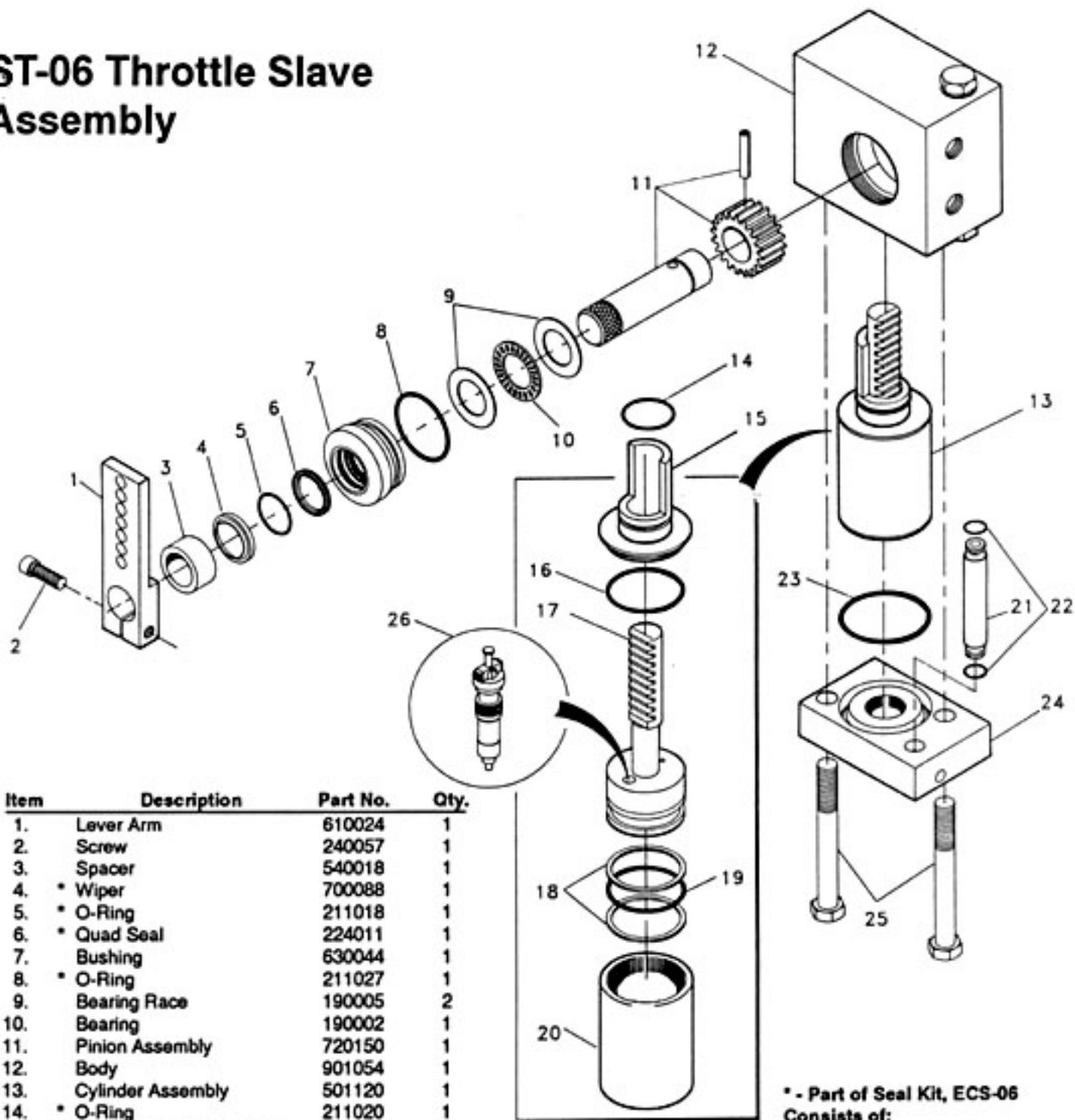


ST-06 Throttle Slave Assembly



Item	Description	Part No.	Qty.
1.	Lever Arm	610024	1
2.	Screw	240057	1
3.	Spacer	540018	1
4.	* Wiper	700088	1
5.	* O-Ring	211018	1
6.	* Quad Seal	224011	1
7.	Bushing	630044	1
8.	* O-Ring	211027	1
9.	Bearing Race	190005	2
10.	Bearing	190002	1
11.	Pinion Assembly	720150	1
12.	Body	901054	1
13.	Cylinder Assembly	501120	1
14.	* O-Ring	211020	1
15.	Cylinder End (Eccentric)	560034	1
16.	* O-Ring	211028	1
17.	Piston Assembly	600070	1
18.	* Teflon Back-Up Ring	252125	2
19.	* O-Ring	211125	1
20.	Cylinder Tube	500131	1
21.	Tube	500164	1
22.	* O-Ring	211010	2
23.	* O-Ring	211030	1
24.	Plate	520634	1
25.	Bolt	240717	2
26.	* Dill Valves	160061	2

* - Part of Seal Kit, ECS-06
Consists of:

2	Dill Valves	160061
2	O-Rings	211010
1	O-Ring	211018
1	O-Ring	211020
1	O-Ring	211027
2	O-Rings	211028 (1 extra)
1	O-Ring	211030
1	O-Ring	211125
1	Seal	224011
2	Rings	252125
1	Wiper	700088