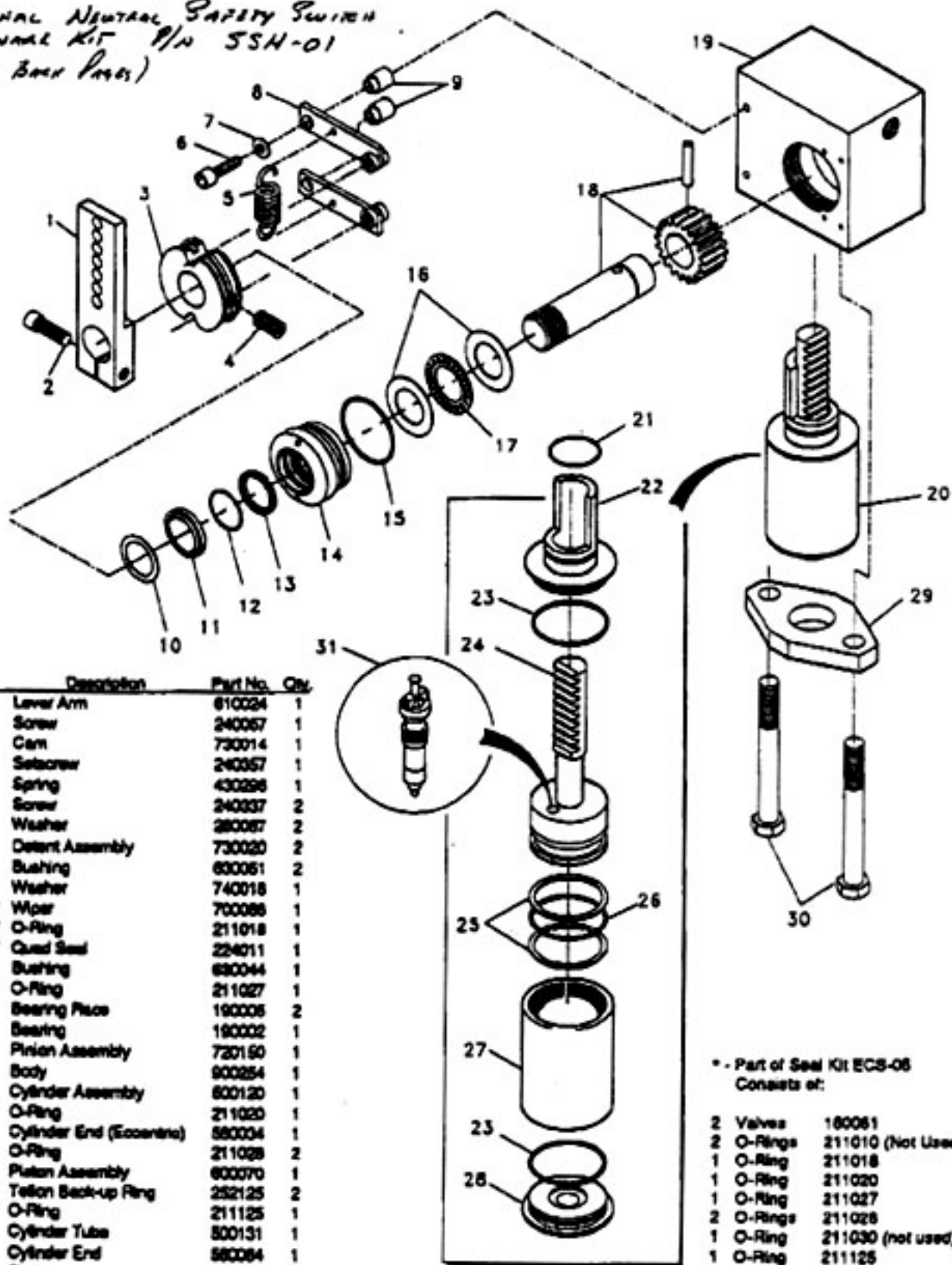


**Parts List (Continued)**

*OPTIONAL NEUTRAL SAFETY SWITCH  
HARDWARE KIT P/N 55H-01  
(SEE BACK PAGES)*



Item	Description	Part No.	Qty.
1.	Lever Arm	810024	1
2.	Screw	240057	1
3.	Cam	730014	1
4.	Set screw	240057	1
5.	Spring	430298	1
6.	Screw	240037	2
7.	Washer	280087	2
8.	Detent Assembly	730020	2
9.	Bushing	830051	2
10.	Washer	740018	1
11.	Wiper	700088	1
12.	O-Ring	211018	1
13.	Quad Seal	224011	1
14.	Bushing	830044	1
15.	O-Ring	211027	1
16.	Bearing Race	190005	2
17.	Bearing	190002	1
18.	Pinion Assembly	720150	1
19.	Body	900254	1
20.	Cylinder Assembly	800120	1
21.	O-Ring	211020	1
22.	Cylinder End (Eccentric)	580004	1
23.	O-Ring	211028	2
24.	Piston Assembly	900070	1
25.	Teflon Back-up Ring	252125	2
26.	O-Ring	211125	1
27.	Cylinder Tube	500131	1
28.	Cylinder End	580084	1
29.	Plate	530014	1
30.	Bolt	240717	2
31.	Oil Valve (red)	180081	2

\* - Part of Seal Kit ECS-06  
Consists of:

2	Valves	180081
2	O-Rings	211010 (not used)
1	O-Ring	211018
1	O-Ring	211020
1	O-Ring	211027
2	O-Rings	211028
1	O-Ring	211030 (not used)
1	O-Ring	211125
1	Seal	224011
2	Rings	252125
1	Wiper	700088

**Figure 23. SS-04 Transmission Slave Assembly**