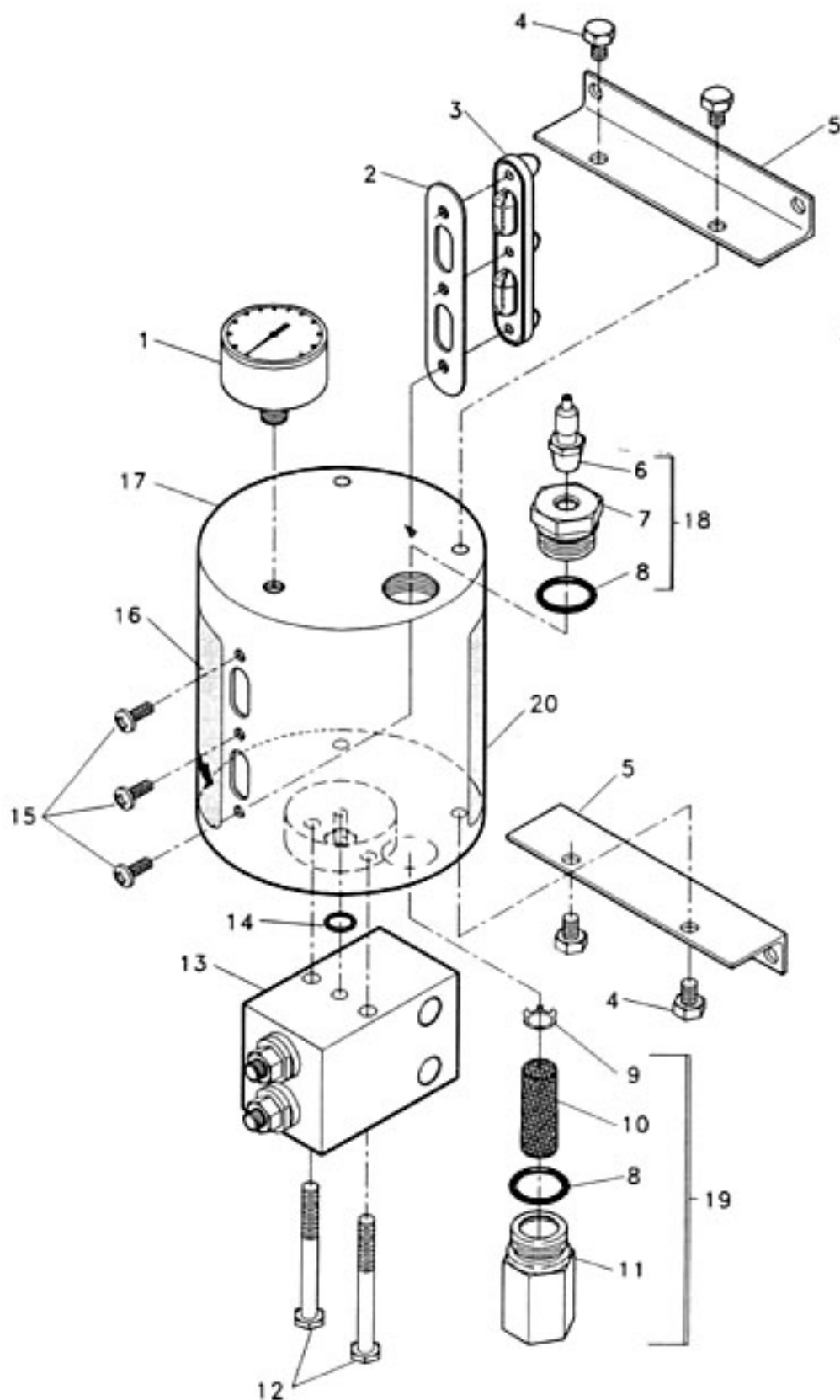


# ILLUSTRATED PARTS BREAKDOWN

## Model RV-55 Reservale



Item	Description	Part No.	Qty
1.	Pressure Gage	160042	1
2.	Gasket	310015	1
3.	Level Indicator	150078	1
4.	Screw	240407	4
5.	Bracket	150264	2
6.	Dill Valve	160041	1
7.	Plug	380194	1
8.	O-Ring	211910	2
9.	Retaining Ring	300036	1
10.	Filter Element	160103	1
11.	Plug	380184	1
12.	Screw	240327	2
13.	Relief Valve	860047	1
14.	O-Ring	211012	1
15.	Screw	240437	3
16.	Decal	180032	1
17.	Tank Assembly	*	1
18.	Plug Assembly	380020	1
19.	Filter Assembly	380100	1
20.	Decal	180004	1

\* Contact Hynautic