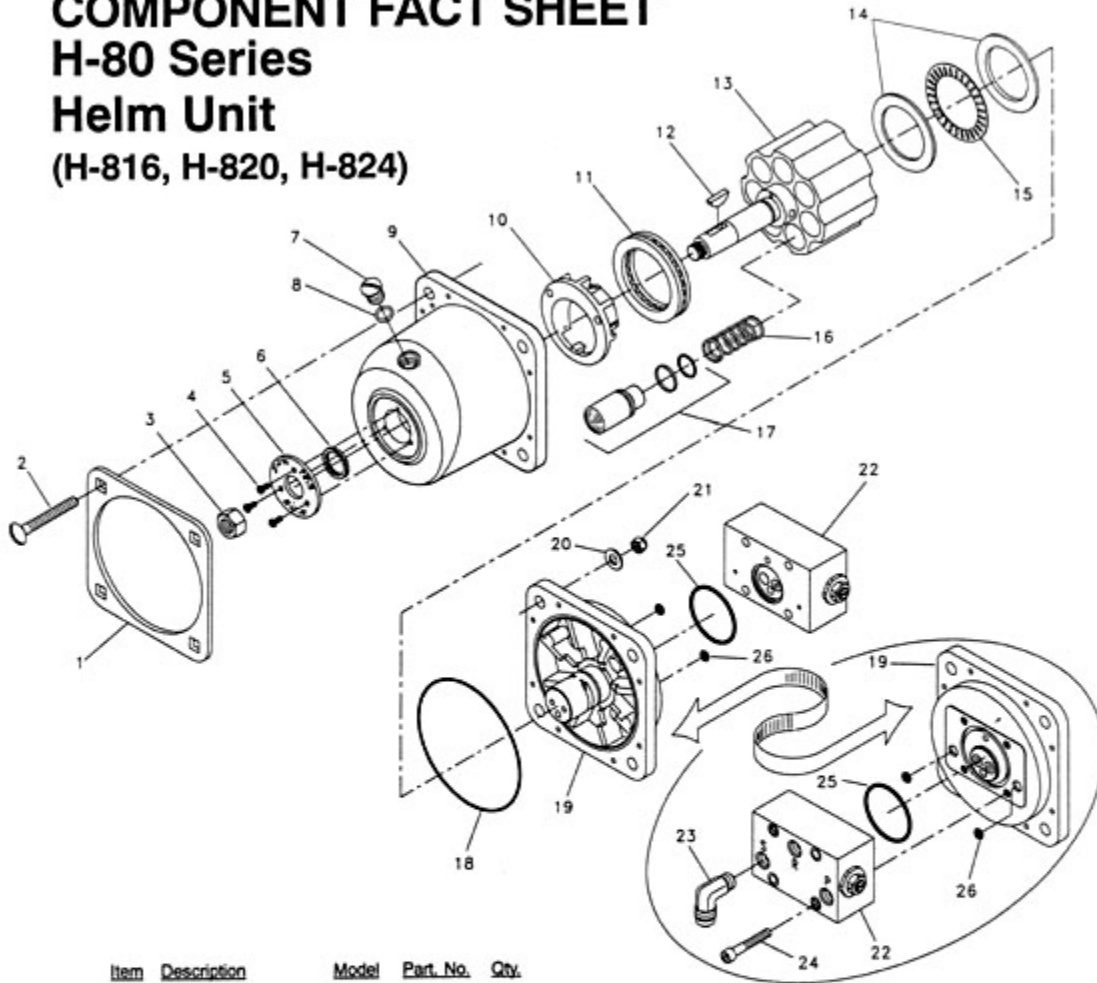


# COMPONENT FACT SHEET

## H-80 Series

### Helm Unit

(H-816, H-820, H-824)



Item	Description	Model	Part No.	Qty.
*1	Plate	All	520654	1
*2	Screw	All	241187	4
*3	Nut	All	270037	1
*4	Screw	All	241137	3
*5	Plate	All	520644	1
*6	Quad Ring Seal	All	224023	1
7	Plug	All	380544	1
*8	O-Ring	All	211906	1
9	Front Body	All	901094	1
10	Wedge	H-816	540274	1
		H-820	540264	1
		H-824	540254	1
11	Ball Bearing	All	190021	1
*12	Woodruff Key	All	650027	1
13	Piston Barrel Ass'y.	All	510140	1
14	Race Bearing	All	190003	2

Item	Description	Model	Part No.	Qty.
15	Thrust Bearing	All	190001	1
16	Spring	All	430706	7
17	Piston Assembly	All	600170	7
*18	O-Ring	All	211046	1
19	Rear Body & Shaft	All	901084	1
*20	Washer	All	260087	4
*21	Nut	All	270277	4
22	Body Assembly	All	900470	1
23	Screw	All	241147	4
24	Fitting	All	690051	2
*25	O-Ring	All	211133	1
*26	O-Ring	All	211105	2

- \* Included in Helm Fitting Kit No. 532820
- \* Included in HS-08 Seal Kit No. 532800



Marine Systems and Products - 1579 Barber Road, Sarasota, FL 34240 • Tel. 941-379-0500 • FAX 941-379-0496

