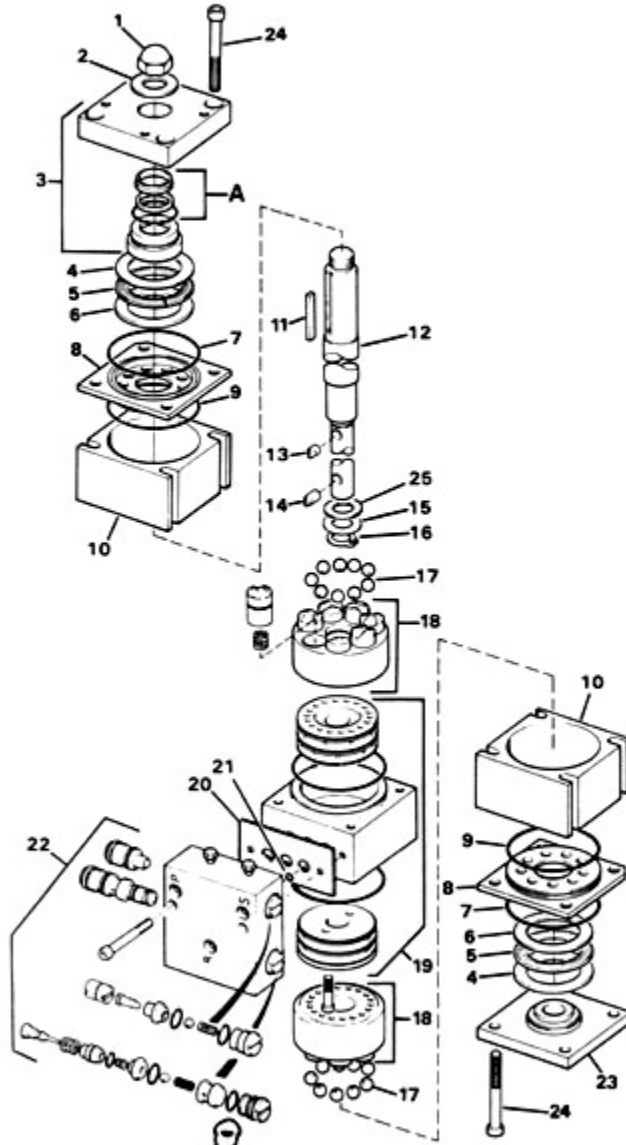


H-40 SERIES

ILLUSTRATED PARTS BREAKDOWN



Parts Description

Item	Description	Helm Models	Part No.	Qty.
1.	Nut	H-41	340041	1
		H-42	340041	1
		H-41-01	270071	1
		H-42-01	270071	1
		H-41-02	270037	1
		H-42-02	270037	1
2.	Washer	H-45	340041	1
		H-41	740011	1
		H-42	740011	1
3.	Front Cover Assy	H-45	740011	1
		H-45	900310	1
		All Others	900300	1
4.	Bearing Race-thin	ALL	190004	2
5.	Bearing-thrust	ALL	190001	2
6.	Bearing Race-thick	ALL	190003	2
7.	O-Ring	ALL	211040	2
8.	Ball Cage	ALL	620018	2
9.	O-Ring	ALL	211039	4
10.	Body Spacer	ALL	900264	2
11.	Key	H-41/42/45	650047	1
		All Others	650027	1
		H-41	400187	1
		H-42	400187	1
		H-41-01	400197	1
12.	Shaft	H-42-01	400197	1
		H-41-02	400227	1
		H-42-02	400227	1
		H-45	400187	1
		ALL	650076	1
13.	Key-short	ALL	650076	1
14.	Key-long	ALL	650026	1
15.	Bearing Race	ALL	190012	1
16.	Retaining Ring	ALL	300046	1
17.	Ball	ALL	234066	18
18.	Cyl. Barrel Assy	H-41	510080	2
		H-42	510070	2
		H-41-01	510080	2
		H-42-01	510070	2
		H-41-02	510080	2
		H-42-02	510070	2
19.	Body Assy	H-45	510080	2
		ALL	900290	1
20.	Plate	ALL	520394	1
21.	O-Ring	ALL	211110	3
22.	Valve Body Assy	H-45	860031	1
		All Others	860030	1
23.	Rear Cover Assy	ALL	710010	1
24.	Soc. Hd. Cap Screw	ALL	240367	8
25.	Washer	ALL	740078	1
A.	Seal Kit	ALL	HS-04	

CAUTION

Disassembly of item no's. 19 & 22 will void any existing warranty. If you disassemble the entire unit, the ball cages (No. 8) must be properly aligned with the body spacers (No. 10) and body assembly (No. 19). Failure to do so will result in poor pump performance. To insure proper timing, align the notched corners of the ball cages as illustrated with the corners of the body spacers and body assembly, using as reference the porting of the body assembly.



Marine Systems and Products - 1579 Barber Road, Sarasota, FL 34240 Tel. 941-379-0500 FAX 941-379-0496

© 1992 Ima Industries, Inc. - Hydraulic Operations, Morse Controls Division

