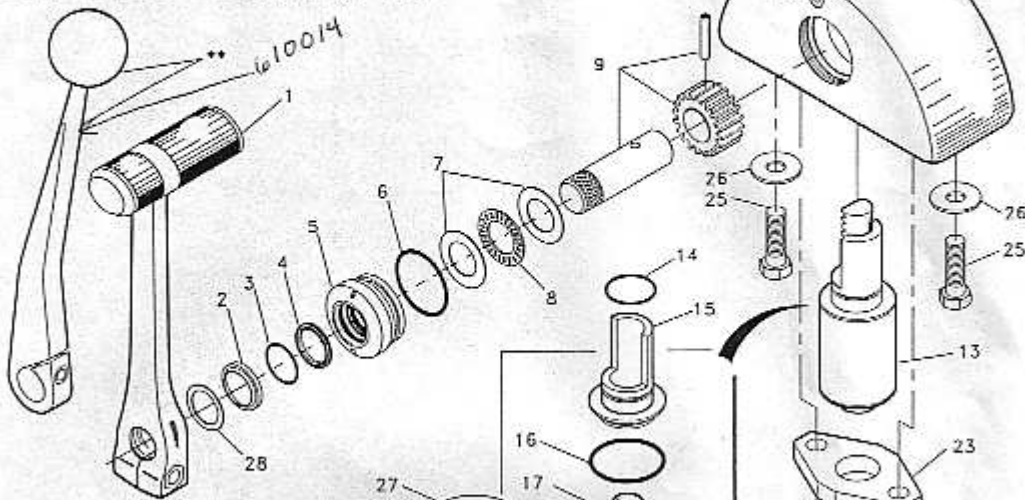
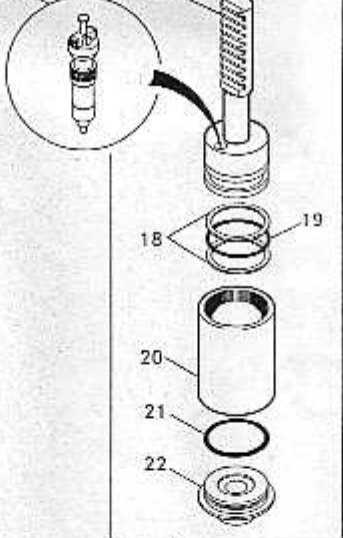


Sender Assembly

Model CR-04 - Control, Right
Model CL-04 - Control, Left



Item	Description	Part No.	Qty.
1.	Handle Assembly (red)	610120	1
	Handle Assembly (black)	610130	1
2.	* Wiper	700088	1
3.	* O-Ring	211018	1
4.	* Quad Seal	224011	1
5.	Bushing	630044	1
6.	* O-Ring	211027	1
7.	Bearing Race	190005	2
8.	Bearing	190002	1
9.	Pinion Assembly	720130	1
10.	Body (CL-04)	900644	1
	Body (CR-04)	900634	1
11.	Screw	240317	1
12.	* Gasket	390028	1
13.	Cylinder Assembly (CL-04)	500510	1
	Cylinder Assembly (CR-04)	500600	1
14.	* O-Ring	211020	1
15.	Cylinder End (CL-04)	560114	1
	Cylinder End (CR-04)	560104	1
16.	* O-Ring	211024	1
17.	Piston Assembly	600080	1
18.	* Teflon Back-up Ring	252121	2
19.	* O-Ring	211121	1
20.	Cylinder Tube	500034	1
21.	* O-Ring	211024	1
22.	Cylinder End	560244	1
23.	Plate	520014	1
24.	Bolt	240727	2
25.	Screw	240067	2
26.	Washer	250027	2
27.	* Drill Valve	160011	2
28.	Washer	740018	1



** Optional Handle (Red) CK-01
Optional Handle (Black) CK-02
KNOBS (Ball Type)
610048 Black
610058 Red

* - Part of Seal Kit ECS-05
Consists of:
2 Valves 160011
1 O-Ring 211018
1 O-Ring 211020
2 O-Rings 211024
1 O-Rings 211027
1 O-Ring 211121
1 Seal 224011
2 Rings 252121
1 Gasket 390028
1 Wiper 700088



Marine Systems and Products - 1579 Barber Road, Sarasota FL 34240 Tel. 813-379-0500

