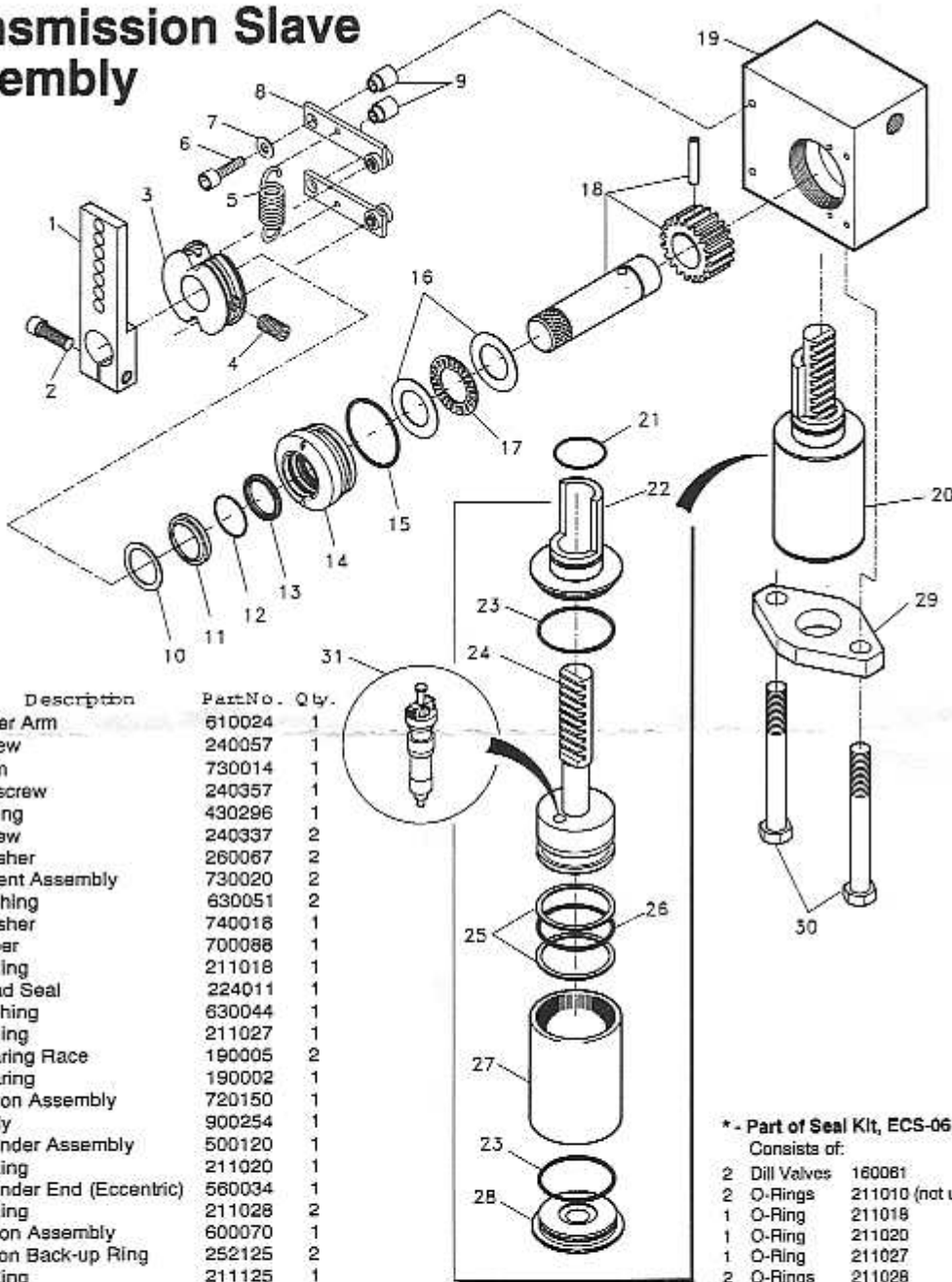


# Transmission Slave Assembly



Item	Description	Part No.	Qty.
1.	Lever Arm	610024	1
2.	Screw	240057	1
3.	Cam	730014	1
4.	Setscrew	240357	1
5.	Spring	430296	1
6.	Screw	240337	2
7.	Washer	260067	2
8.	Detent Assembly	730020	2
9.	Bushing	630051	2
10.	Washer	740018	1
11.	* Wiper	700088	1
12.	* O-Ring	211018	1
13.	* Quad Seal	224011	1
14.	Bushing	630044	1
15.	* O-Ring	211027	1
16.	Bearing Race	190005	2
17.	Bearing	190002	1
18.	Pinion Assembly	720150	1
19.	Body	900254	1
20.	Cylinder Assembly	500120	1
21.	* O-Ring	211020	1
22.	Cylinder End (Eccentric)	560034	1
23.	* O-Ring	211028	2
24.	Piston Assembly	600070	1
25.	* Teflon Back-up Ring	252125	2
26.	* O-Ring	211125	1
27.	Cylinder Tube	500131	1
28.	Cylinder End	560064	1
29.	Plate	520014	1
30.	Bolt	240717	2
31.	* Dill Valve (red)	160061	2

\* - Part of Seal Kit, ECS-06  
Consists of:

2	Dill Valves	160061
2	O-Rings	211010 (not used)
1	O-Ring	211018
1	O-Ring	211020
1	O-Ring	211027
2	O-Rings	211028
1	O-Ring	211030 (not used)
1	O-Ring	211125
1	Seal	224011
2	Rings	252125
1	Wiper	700088

**Teleflex Morse**  
A Division of Teleflex Engineering (USA)

6980 Professional Parkway East, Sarasota, FL 34240 • (941) 907-1000 • FAX (941) 907-1020

184009 | REV 4  
1/02